

Lomo23

TOSOT

MODEL: TW36HQ2B4D

Project Name:

Location:

Engineer Name:

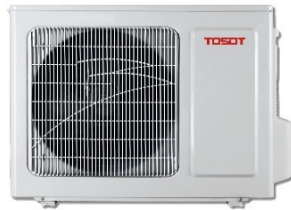
Purchaser:

Unit Designation:

Schedule No.

Submitted To:

Date:



General Features

- Smart 1 Hertz Inverter Technology
- Low Ambient Cooling to 5 °F
- Multiple Fan Speeds
- Memory Function
- Fan Delay Function
- Intelligent Pre-heating / Defrost

- Gold Fin Condenser
- Low Voltage Start-up
- High And Low Pressure Protection Features
- Load Protection Features
- Over-Current Protection
- Anti Freeze Protection

Unit Performance:

<i>Cooling:</i>	-	-
Capacity (Min Rated Max, Btu/h)	7,400-33,600-36,000	
SEER		18
EER		8.2
<i>Heating:</i>	-	-
Capacity (Min Rated Max, Btu/h)	14,980 -34,600- 36,000	
HSPF		9
COP (W/W)		2.67

Compressor

Cooling Operation Ambient temp. Range	5~115 °F
Heating Operation Ambient temp. Range	-5~75 °F
Compressor Type	Rotary
Compressor RLA (A)	17.5
Crankcase Heater	Yes

Unit Specification

Refrigerant Type	R410A
Refrigerant Charge (oz)	91.71
ODU Sound Pressure (dB(A))	65
IDU Sound Pressure (dB(A))	37 / 54
ODU Net Weight (lbs)	161
IDU Net Weight (lbs)	41.9
Dehumidifying (Pint/h)	7.4

Electrical Specification

Power Supply	208-230V / 60Hz
Communications Wire Size	AWG 14
MOP (A)	40
MCA (A)	24
Cooling Rated Amps (A)	20
Heating Rated Amps (A)	20
Compressor RLA (A)	17.5
Indoor Fan Motor RLA (A)	0.4
Outdoor Fan Motor RLA (A)	0.73
Nominal Cooling Power Input (kW)	4.1
Nominal Heating Power Input (kW)	3.8

Fan

ODU / IDU Type	Axial-flow/Cross-flow
Fan Motor Output (W)	170
Motor/Drive	Direct Drive
ODU Max Air Flow Rate (CFM)	4400
IDU Air Flow Rate (CFM)	412 / 736

Piping

Liquid Line (in, OD)	1/4
Gas Line (in, OD)	5/8
Additional Refrigerant (oz./ft.)	0.538
Max Pipe Length (ft.)	98.4
Piping Length (with factory charge, ft.)	24.6
Max Elevation (ft.)	49

AHRI certification Ref #



Capacity Variation Ratio According to Temperature

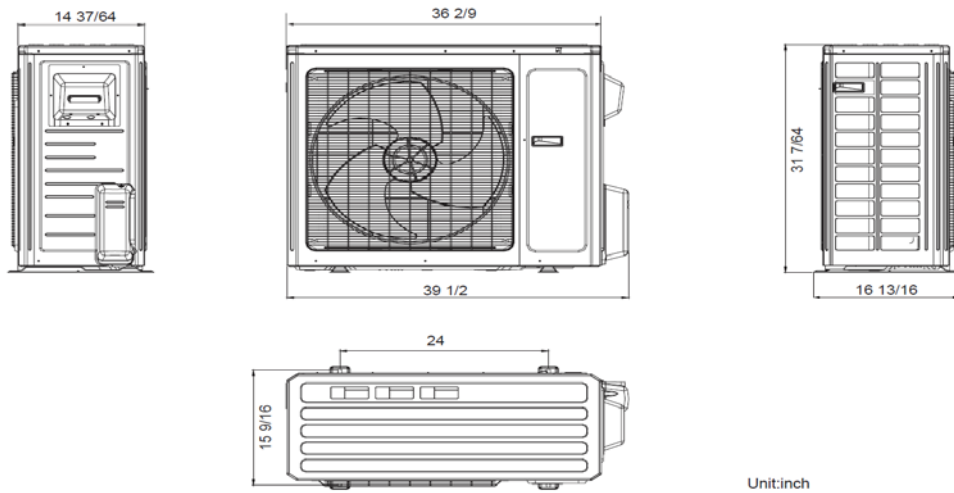
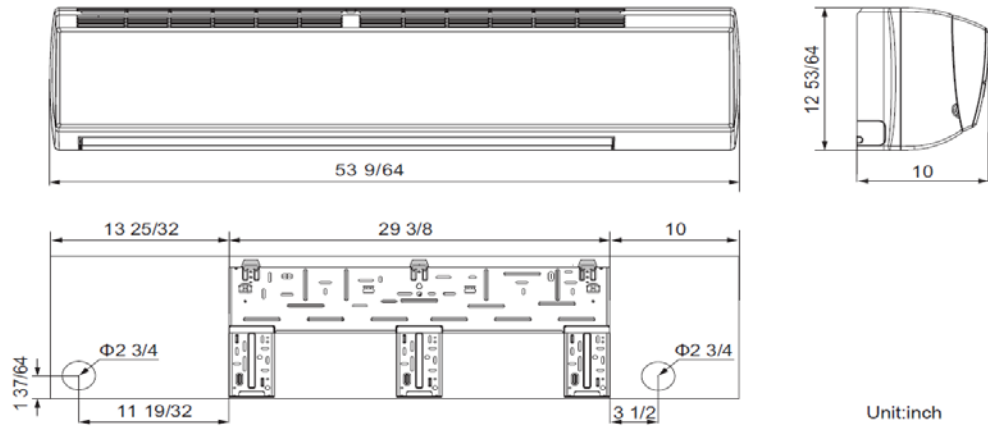
COOLING PERFORMANCE (BtuH)*									
Outdoor Ambient DB	Indoor Ambient Temperature								
	68F DB (20C)		73F DB (23C)		80F DB (27C)		82F DB (28C)		
	57F WB (14C)		61F WB (16C)		67F WB (19C)		68F WB (20C)		
	TC	SHC	TC	SHC	TC	SHC	TC	SHC	
5°F	19,555	15,337	20,658	16,196	23,315	18,286	23,665	18,561	
14°F	20,803	16,316	21,977	17,230	24,803	19,454	25,175	19,745	
23°F	22,792	17,879	24,379	19,123	27,933	21,909	28,352	22,237	
32°F	23,932	18,773	25,598	20,079	29,330	23,004	29,770	23,349	
41°F	25,129	19,712	26,878	21,083	30,796	24,154	31,258	24,517	
50°F	26,385	20,697	28,222	22,138	32,336	25,362	32,821	25,742	
59°F	27,640	21,677	29,564	23,186	32,379	25,388	32,864	25,769	
68°F	31,303	24,551	33,259	26,081	35,542	27,876	36,075	28,294	
77°F	30,933	24,265	32,900	25,806	35,216	27,622	35,744	28,037	
86°F	29,412	23,065	31,368	24,606	34,237	26,852	34,751	27,255	
95°F	27,836	21,832	29,781	23,351	32,607	25,575	33,096	25,958	
104°F	26,488	20,775	28,422	22,294	31,759	24,914	32,236	25,288	
113°F	25,129	19,707	27,064	21,226	30,411	23,846	30,868	24,204	
HEATING PERFORMANCE (BtuH)*									
Outdoor Ambient DB	Indoor Ambient Temperature								
	68F DB (20C)		73F DB (23C)		80F DB (27C)		86F DB (30C)		
	57F WB (14C)		61F WB (16C)		67F WB (19C)		72F WB (22C)		
	TC	SHC	TC	SHC	TC	SHC	TC	SHC	
-4°F	17,515	17,515	17,220	17,220	16,718	16,718	16,525	16,525	
0°F	18,979	18,979	18,663	18,663	18,104	18,104	17,894	17,894	
6°F	20,022	20,022	19,685	19,685	19,104	19,104	18,874	18,874	
10°F	20,854	20,854	20,506	20,506	19,895	19,895	19,664	19,664	
16°F	21,486	21,486	21,128	21,128	20,489	20,489	20,253	20,253	
19°F	21,896	21,896	21,538	21,538	20,885	20,885	20,643	20,643	
24°F	24,361	24,361	23,992	23,992	23,322	23,322	23,108	23,108	
32°F	27,226	27,226	26,857	26,857	26,156	26,156	25,972	25,972	
41°F	30,501	30,501	30,143	30,143	29,395	29,395	29,248	29,248	
43°F	31,323	31,323	30,954	30,954	30,208	30,208	30,069	30,069	
47°F	34,040	34,040	33,450	33,450	32,416	32,416	31,997	31,997	
53°F	34,377	34,377	33,777	33,777	32,739	32,739	32,313	32,313	
59°F	35,167	35,167	34,546	34,546	33,478	33,478	33,050	33,050	
64°F	35,915	35,915	35,283	35,283	34,197	34,197	33,756	33,756	
70°F	36,589	36,589	35,957	35,957	34,843	34,843	34,398	34,398	
75°F	37,105	37,105	36,452	36,452	35,333	35,333	34,872	34,872	
* Maximum system capacity									
TC- Total Capacity (BtuH)									
SHC- Sensible Capacity (BtuH)									

Lomo23

TOSOT

MODEL: TW36HQ2B4D

Outline Dimension Diagram



Approved By:

Signature

Date

TOSOT

315 Boulevard Industriel, Châteauguay, QC, Canada J6J 4Z2
Contact: +1 (450) 698-4000
info@tosotamerica.com
tosotamerica.com